

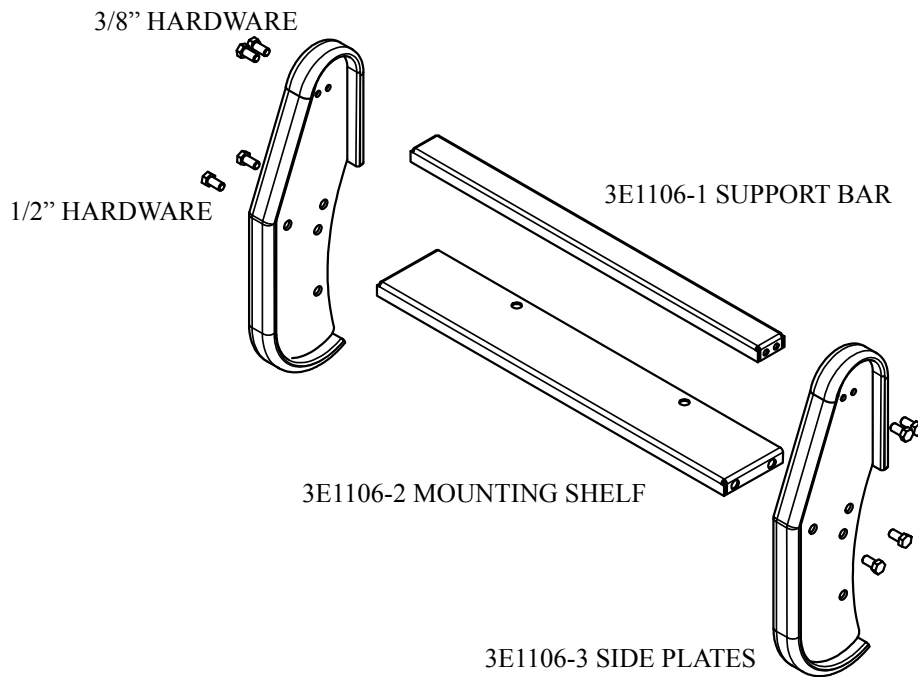
INSTALLATION GUIDE
3E1106 PUSH BUMPER
UNIVERSAL FRONT

Pro-gard[™]
PRODUCTS LLC.

STRONG | RELIABLE | SECURE

pro-gard.com
800.480.6680

THESE COMPONENTS ARE REQUIRED
TO ASSEMBLE THE PRO-GARD UNIVERSAL FRONT PUSH BUMPER



Note: Please read the following information before you begin the push bumper, vehicle installation. This process must be performed before mounting the bumper to the vehicle.

This addendum has been added to inform the end users that the E1106F push bumper is now a universal fit for most vehicles.

The Pro-Gard bumper must now be assembled by the end users before mounting it to the vehicle.

Hardware

Provided, is a separate hardware kit for the assembling of the push bumper itself.

1. The side plates should be assembled using the ½” bolts inserted from the outside through the shelf plate. They should be secured with a split washer followed by a hex nut. Repeat this process for the two side plates and shelf mountings. There are 2 bolt, washer, and nut combinations per side.
2. Mounting of the top support rail will have a similar mounting, with the exceptions of hardware. You will now use the 3/8” bolt, washer, and nut combinations. There are 4, two per side.
3. Once the push bumper assembly is complete, begin the installation of the mounting brackets to the vehicle.