

INSTALLATION GUIDE

3G7023

PARTITION MOUNT

GUN RACK FOR

2011 CAPRICE

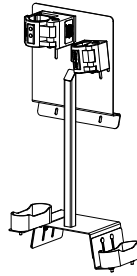
Pro-gard[™]
PRODUCTS LLC.

STRONG | RELIABLE | SECURE

pro-gard.com
800.480.6680

THESE COMPONENTS ARE REQUIRED
TO INSTALL THE PRO-GARD G7023 SERIES WEAPONS SYSTEM

G7023 (weapon specific)
GUN RACK



- I. Refer to the diagram on the last page of these instructions to verify all parts were received.
- II. The following tools will be required to complete the installation.

Socket Wrench with 7/16" socket.

- III. Installing the gun rack.
 - A. Remove the two center most carriage bolts at the top of the recess panel.
 - B. Place the gun rack up against the partition alligning the holes on the lock plate with the holes from step A. See FIG. 1
 - C. Install two (3X61) 1/4-20 x 3/4" carriage bolts from the back side (prisoner side) of the partition and secure with two (3X16Z) 1/4-20 whiz nuts.

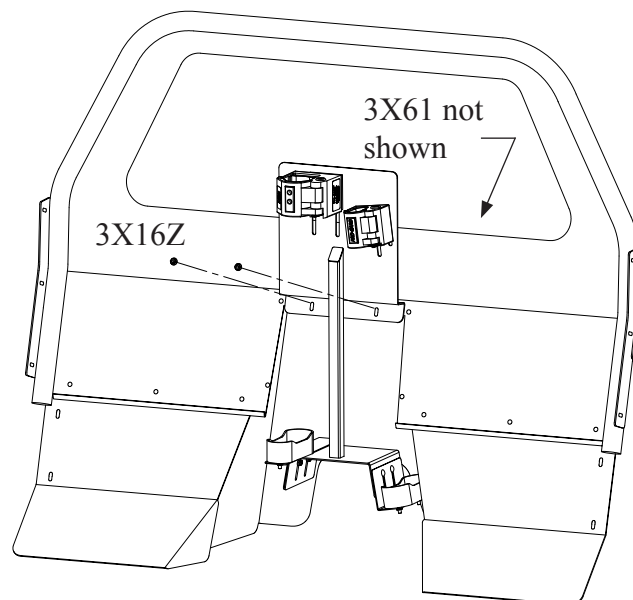
- IV. Weapon fitment.

- A. Place weapon in the gun rack and adjust lock and butt plate bracket to properly fit weapon.

- V. Final instalation.

- A. Wire electric gun locks per timer instructions

FIG. 1



VI. Lock Head Operating Instructions

To release the weapon:

- A. Grasp the weapon, but do not pull it against the lid of the gun lock.
- B. While depressing and holding the release button (momentary switch), push and then pull the weapon towards the lid of the gun lock to release it from the lock.

Note: One handed operation is possible utilizing the optional 8 second timer. The timer will unlock the lock for 8 seconds following activation of the momentary switch. If the gun is not pulled out of the lock within 8 seconds after activation of the momentary switch, the lock will automatically re-lock.

Important: If lid of the lock does not release, press in on the lid to release tension and reactivate the release button (unless timer is still active).

Securing the Weapon:

- A. Push weapon firmly and completely into the lock mechanism and firmly close lid.
- B. Check to insure that the lid is locked.
- C. If the lid does not lock, re-seat the weapon firmly and completely into the lock assembly and again apply firm pressure to the lock lid to seat and re-lock it.

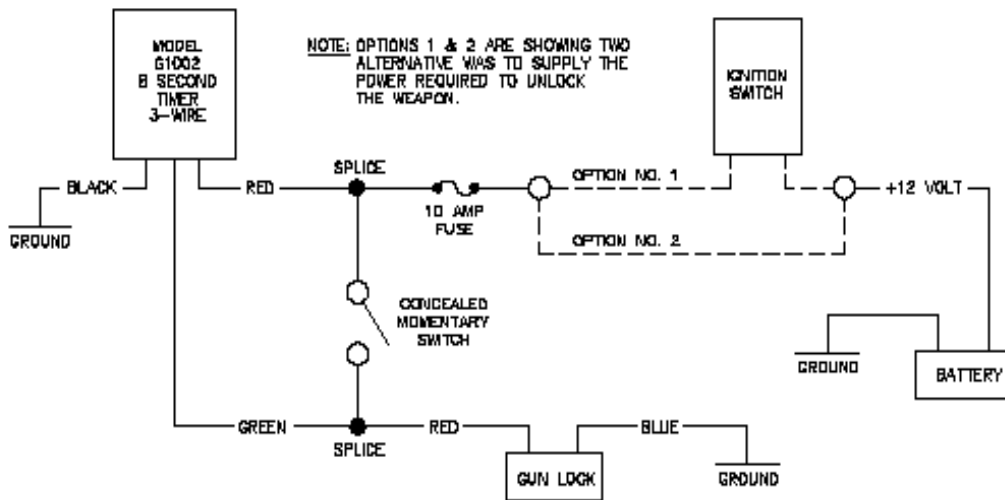
Note: The G4904 Series lock mechanism has a unique override. In the event of power failure, the lock can be opened using a standard handcuff key or other high security key.

To open the lock with the manual override key:

- A. Fully insert the handcuff key into the hole provided in the lock head. Turn the key 1/4 turn to the left (counter-clockwise). Pull open the lid or pull on the weapon to open it.

Important: Return the key to its original position or remove key completely to close and re-lock the lock.

VII. Installing Optional 8 second timer (3-Wire)



Note: If for any reason the gun lock momentary switch remains activated, such as, the button is damaged, and/or shorted, the unit will time out in 8 seconds and can not be operated again until the defective switch is repaired, thus saving the gun lock solenoid. Do not connect directly to power for more than 20 seconds!

VIII. Installation Complete