

INSTALLATION GUIDE

ABS TRASPORT SEAT &

ABS FLOOR PAN

2011- CURRENT

CHEVY CAPRICE

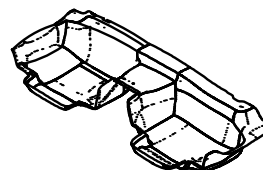
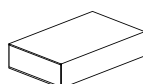
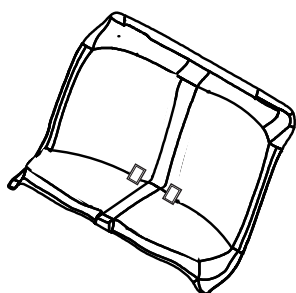
Pro-gard[™]
PRODUCTS LLC.

STRONG | RELIABLE | SECURE

pro-gard.com
800.480.6680

THESE COMPONENTS ARE REQUIRED
TO INSTALL THE PRO-GARD ABS SEAT/FLOOR PAN SYSTEM

Figure 1



S53CC11 ABS Transport Seat

4S53CC11 Seat Kit

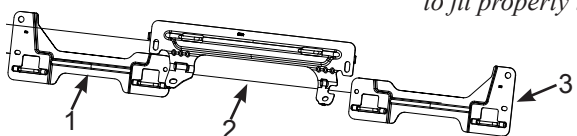
FP53CC11 ABS Floor Pan

- I. Refer to the diagram on the last page of these instructions to verify all parts were received.
- II. The following tools will be required to complete the installation.
 - A. 1/4" or 3/8" drive ratchet with 3/8", 7/16", 7mm, 13mm, and 17mm sockets
 - B. Drill with 3/8" Socket and Philips Bit
 - C. T15 Torx Driver
- III. Read all instructions carefully before starting the assembly process.

Caution: Locate all Wiring, Fuel Lines, Brake Lines, and/or Cooling Lines before drilling holes or installing Fasteners.

- IV. Removing the OEM Seat
 - A. Begin by lifting the front of the lower seat cushion out from the plastic snaps in the floor. Once the seat is free, remove it from the vehicle (See Fig. 3).
 - B. Remove the seat belts by removing the two 17mm OEM nuts from their mounting studs. Do not remove the shoulder straps anchored at each side of the vehicle.
 - C. Remove the OEM seat back cushion by removing four 17mm nuts from the lower mounting brackets near the seat belt mounting studs.
 - D. Also remove the remaining two 13mm nuts holding lower child restraint brackets (3 pcs) and remove the brackets from the vehicle. (Fig. 2)

Fig. 2



Note: This is necessary for the Pro-gard Seat to fit properly in position.

Fig. 3

DRIVER SIDE SHOWN

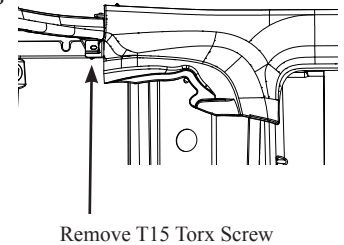
REAR SEAT LOWER CUSHION



V. Removing the OEM Trim Panels

- A. Remove the T15 Torx screw from the rear tab of the Rear Door Scuff Plates and then remove the Rear Door Scuff Plates on the Driver and Passenger-side. These will be reinstalled after the ABS Floor Pan Installation. (See Fig. 4)
- B. Remove the upper seat transition trim that extends from the scuff plates to the small window near the outer shoulder harnesses on both the Driver and Passenger sides of the vehicle. (See Fig. 5)
- C. Remove Center B-Pillar trim Panel. Then remove the B-Pillar lower transition trim panels on both the passenger and driver side of the vehicle.

Fig. 4 Driver Side Scuff Panel



VI. Installing the ABS Floor Pan

- A. Place the ABS Floor Pan in the vehicle, making sure that there are no objects underneath of it. Insure that the Floor Pan is all the way back and down against the rear seat area.

Note: The floor pan does not cover the OEM seat grommets.

- B. Reinstall the B-Pillar lower transition panels (Fig. 6) and the OEM Rear Door Scuff Plates on the Driver and Passenger-side.

Note: The Door Scuff Trim Plates go on top of the ABS Floor Pan.

- C. Installation of the Floor Pan Drain Plugs on this vehicle is optional. There are no holes in the floor of the vehicle and holes must be drilled. Use a hole saw sized between 1 3/8" & 1 1/2" in diameter. Drill holes near the center of the floor pan at the lowest point.

Caution: Locate all Wiring, Fuel Lines, Brake Lines, and/or Cooling Lines before drilling holes.

Fig. 5

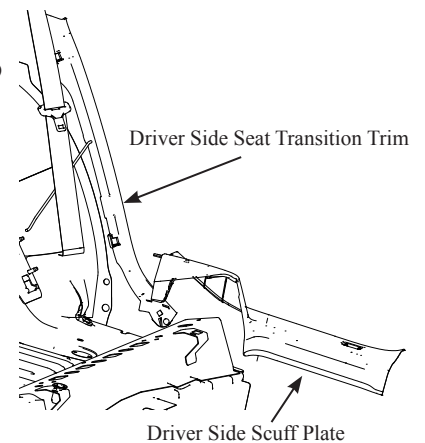
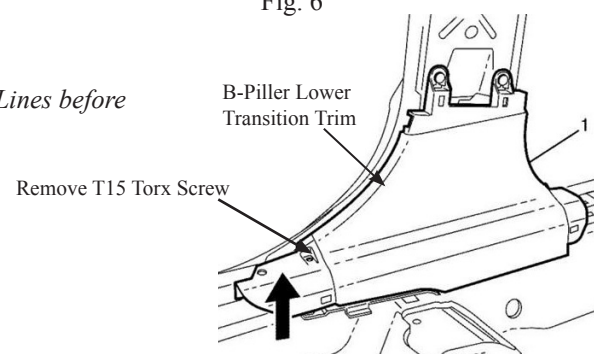


Fig. 6



VII. Installing the ABS Transport Seat

- A. Preparing Transport Seat for installation:

1. If installing a Pro-Gard Pro-Cell Kit with center divider then, go to Step 2. If not installing a center divider, skip to Step B.
2. Attach the (3P214) Divider Mounting Brackets using the supplied bolts (3X36) and whiz nuts (3X16Z), before installing the seat in to the vehicle. (See Fig. 7)

Note: The flat side of the bracket should face the passenger's side; the divider will mount flat against it.

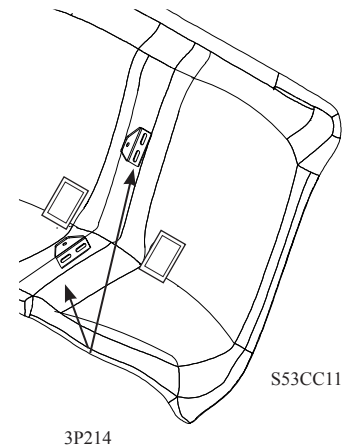
Fig. 7
PASSENGER SIDE SHOWN

B. Place the seat in the vehicle. Make sure the seat is tucked behind the outer shoulder straps and is flush against the frame of the seat back. The seat will overlap the back edge of the floor pan. The upper trimmed edge of the seat should be flush with the top of the rear deck.

C. Be sure the seat belts are on the outside of the seat and operate freely.

Note: The gas tank is under the rear seat in this vehicle. Use pre-drilled locations and supplied hardware only!

Caution: Locate all Wiring, Fuel Lines, Brake Lines, and/or Cooling Lines before drilling holes or installing fasteners.



D. Starting at the top of the transport seat along the edge near the rear deck. Fasten with four 1-1/2" long (3X77) self-tapping screws and (3X78) finish washers through the surface on the seat where the raised Pro-Gard lettering is seen. Be sure the upper trimmed edge of the seat is flush with the top edge of the rear deck.

E. Using four more 1-1/2" long (3X77) self-tapping screws and (3X78) finish washers, secure the front lower portion of the seat to the seat frame of the vehicle through the four recessed screw mounting locations.

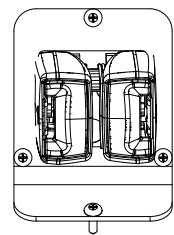
VIII. Installing the OEM Seatbelts and ABS Cover Plates.

A. Insert the passenger side belt buckle through the passenger side seat cover plate (The plate with the smaller hole and insert into the side with the rough surface) and pass the bracket through the plate also. Slide the plate up the seat belt to allow access to bolt the buckle to the stud under the seat.

B. Insert the seat belts and buckles through the holes in the seat and reattach to OEM mounting studs with OEM nuts.

C. Slide cover plate assemblies over the buckles into the recesses in the seat. Orient and secure each cover plate using the four (3X72) Phillips truss head screws. (Fig. 8)

Fig. 8



IX. Finalize Installation

A. Audit the overall installation for fit and function of all components. Once satisfied, insure all fasteners are tight.

B. Installation is now complete.

PARTS LIST			
ITEM	QTY	PART NUMBER	DESCRIPTION
1	1	S53CC11	ABS TRANSPORT SEAT
2	1	FP53CC11	ABS FLOOR PAN
3	2	3S53CC11-01	COVERPLATE (PUCK) ASSEMBLY FOR SEAT BELT'S BUCKLES
4	12	3X72	# 8 X 5/8" PHILIPS HEAD TRUSS HEAD
5	8	3X77	#10 - 1 1/2" OVAL, PHILIPS HEAD SELF TAPPING SCREW
6	8	3X78	#10 FINISH WASHER
7	1	3S53CC11-10	*OPTIONAL * SEAT BELT EXTENDER (NOT SHOWN)
8	2	3S601	DRAIN PLUGS

