

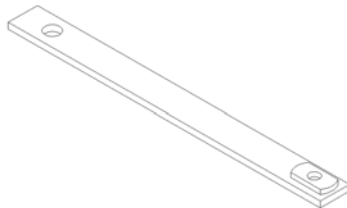
INSTALLATION INSTRUCTIONS
E1105F
PUSH BUMPER INSTALL KIT
 2004-2008 Ford Crown Vic



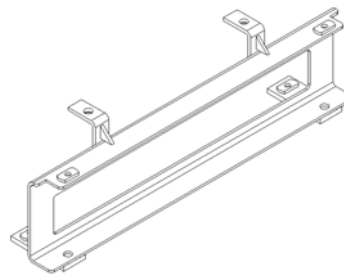
I. Check the illustration below to insure you have all the parts you need for this installation.



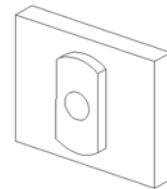
3E051
L-BRACKET
(2) EACH



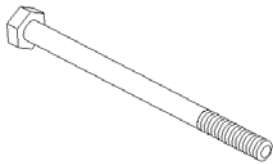
3E052
STRAIGHT BRACKET
(2) EACH



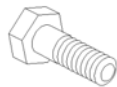
3E055
MAIN FRAME
BRACKET
(1) EACH



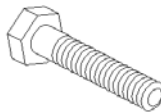
3E053
SQUARE PLATE
(2) EACH



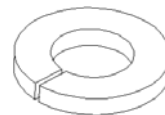
3X507
½-13 X 7 ½ HEX
CAP SCR GR8 YZD
(2) EACH



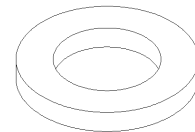
3X501
½-13 X 1 HEX CAP SCR
GR8 YZD
(10) EACH



3X503
½-13 X 2 TAP
BOLT GR8 YZD
(2) EACH



3X504
½-SPLIT LOCK
WASHER YZD
(14) EACH



3X508
½ STANDARD
FLAT WASHER YZD
(2) EACH

- II. You will need the following tool:
 - a. Ratchet with 3/4" Socket.
 - b. Phillips Screwdriver

- III. Please be sure to read all instructions before installation and do not fully tighten any of the bolts until all bolts have been hand started.

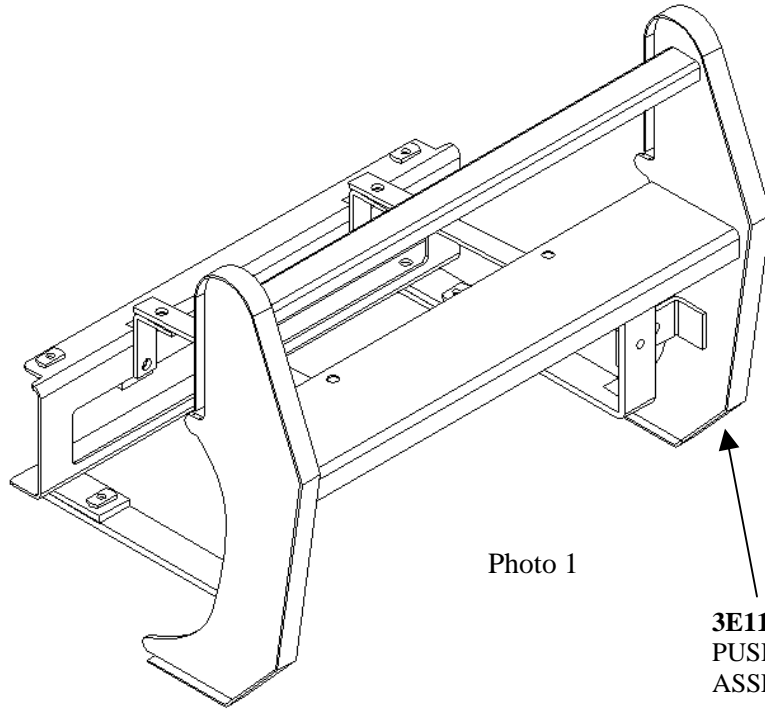


Photo 1

3E1106
PUSH BUMPER FRONT
ASSEMBLED SEPERATELY

- 1. Remove the vehicle's dust shroud. See Photo 2.



Photo 2

- From the bottom of the vehicle install the Bracket Main Frame – 3E055 to vehicle. The bracket attaches to the Steel Cross Frame Member in front of the Radiator. See Photo 3 & 4.

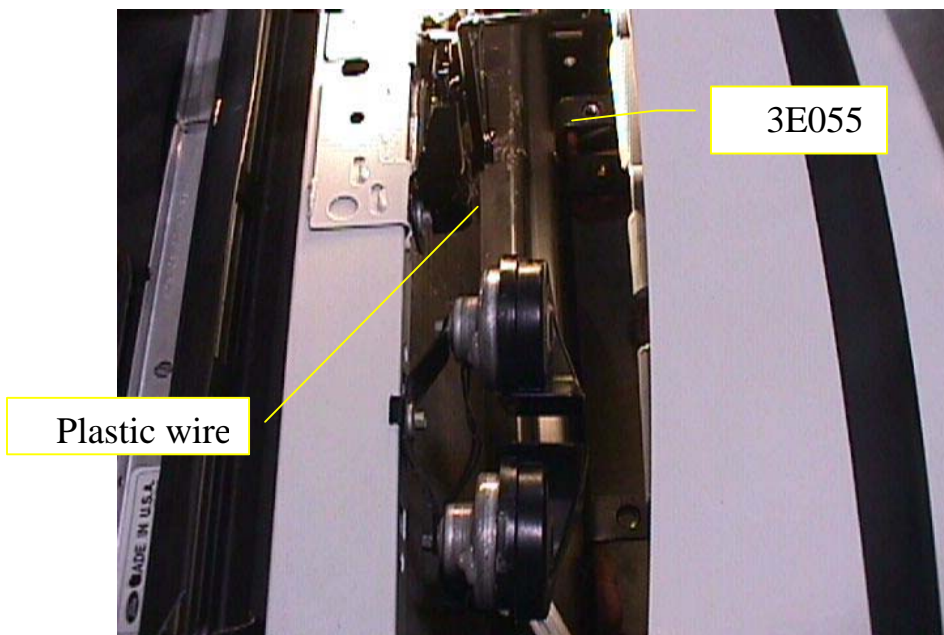


Photo 3



Photo 4 (Please note that photo 4 is taken of push bumper fully assembled to a chassis only.)

3. Install the 3E053 Square Plates behind the Steel Cross Frame Member in front of the Radiator and attach with 3X503 and 3X504 through the front of the Bracket Main Frame – 3E055. See Photos 6a, 6b, & 7.



Photo 6a



Photo 6b

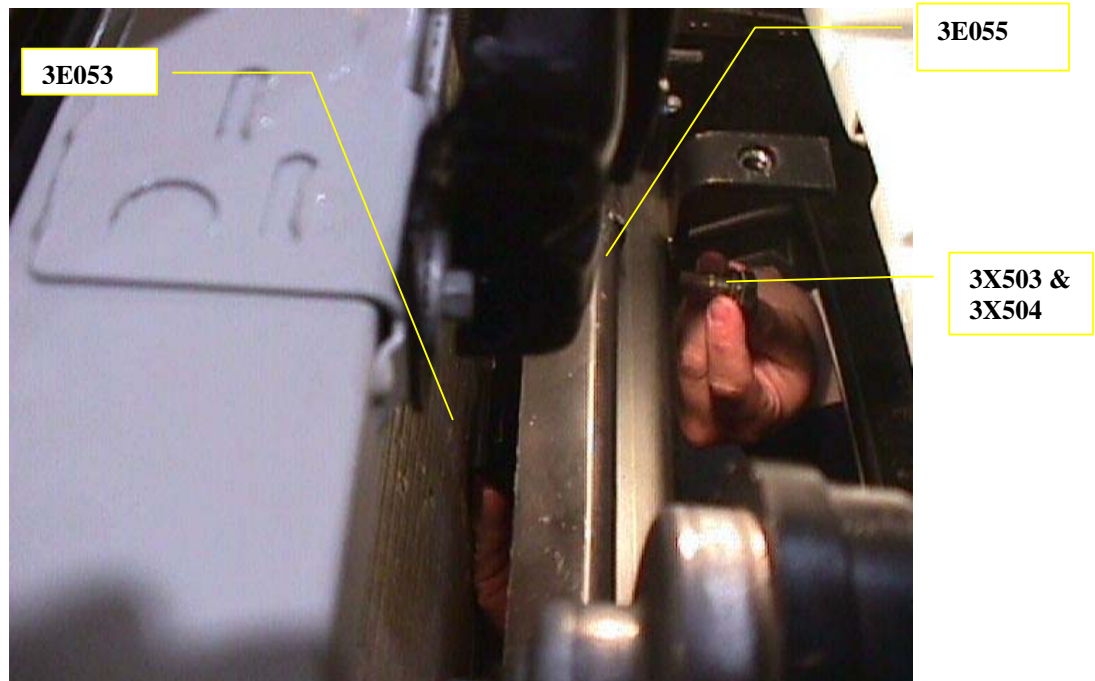
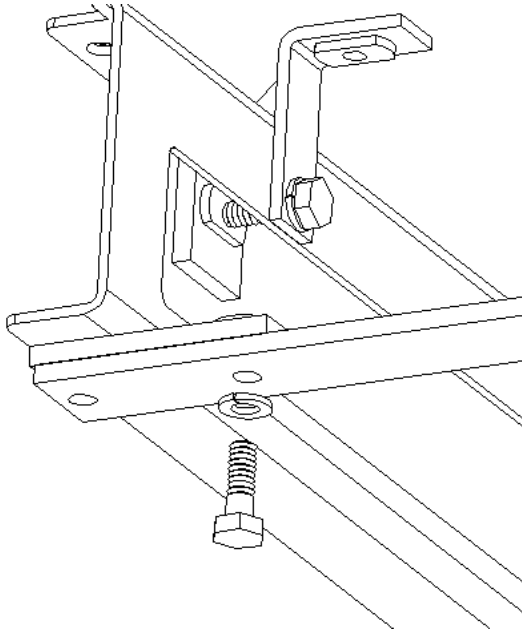


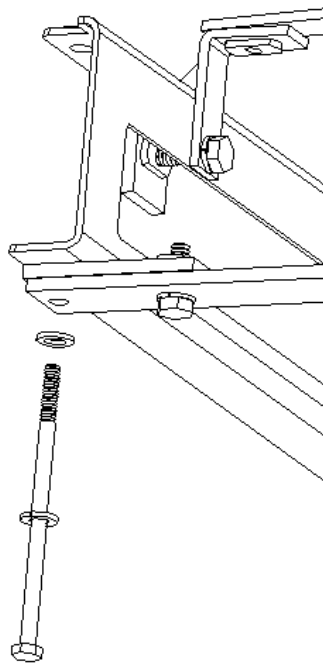
Photo 7

4. Install the 3E051 L-Brackets using 3X501 and 3X504. See Photos 8.



Photos 8

5. Install the 3X507 Hex Cap Screws with 3X504 and 3X508 in the Bracket Main Frame 3E055. The cap screws will fasten behind the Steel Cross Frame Member in front of the Radiator. See Photos 9 & 10.



Photos 9



Photo 10 (Please note that photo 10 is taken of push bumper fully assembled to a chassis only.)

6. Install the 3E052 Straight Brackets with 3X503 and 3x504 by putting them through the opening between the grill and the front fascia. See Photo 11 & 12.

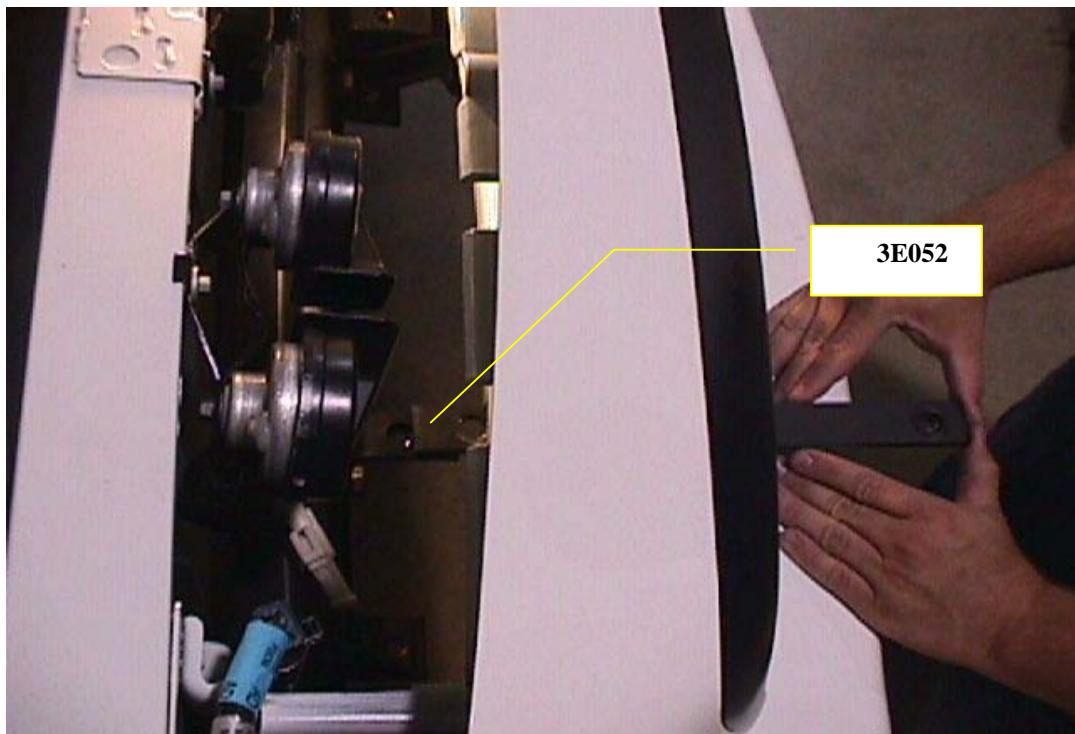


Photo 11

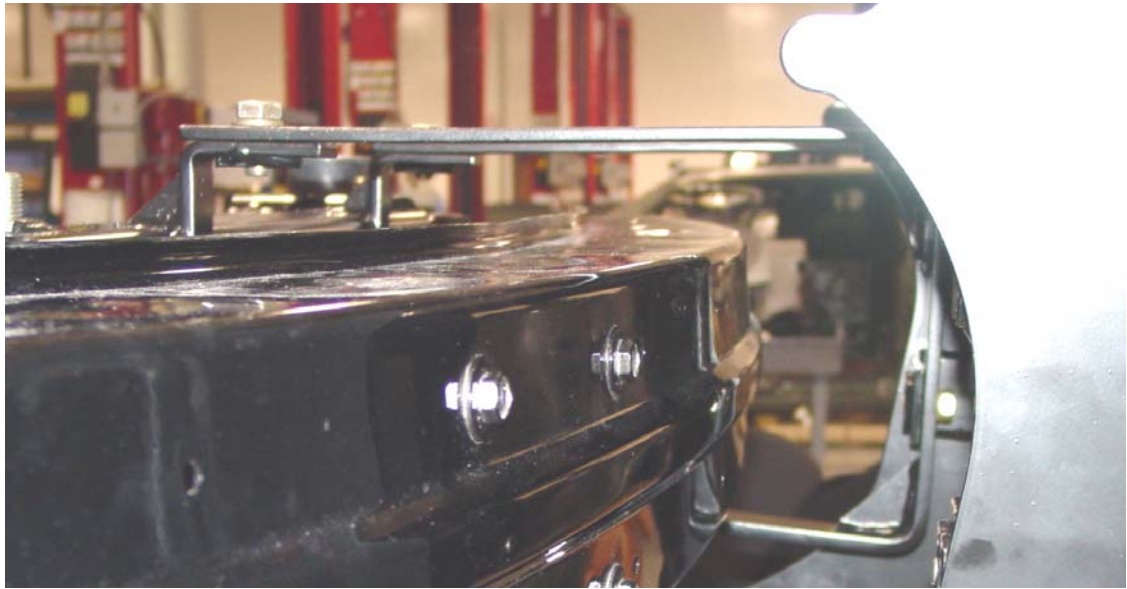


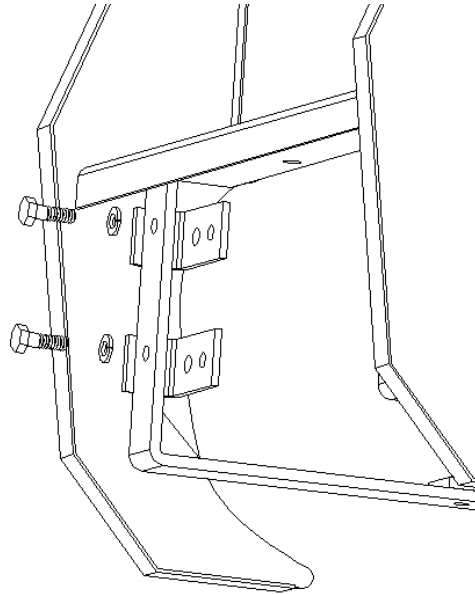
Photo 12 (Please note that photo 12 is taken of push bumper fully assembled to a chassis only.)

7. After you have installed the above-mentioned brackets the configuration should look like Photo 13.



Photo 13

8. Install the Front Upright Assembly with 3X501 and 3x504. See Photos 13 & 14.



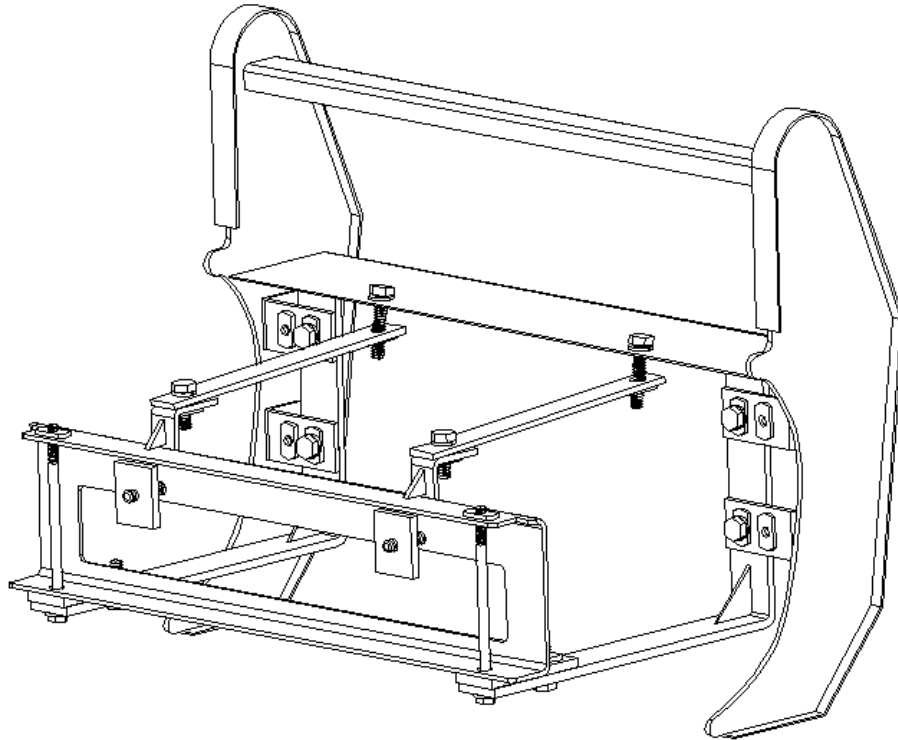
Photos 13



Photo 14 (Please note that photo 14 is taken of push bumper fully assembled to a chassis only.)

9. Make sure that all fasteners are tightened securely. Recommended torque on all Grade 8 hardware is 70 – 80 Ft-Lbs.

10. Replace the vehicle's dust shroud and double check to make sure all fasteners are tightened.



IF THERE ARE ANY QUESTIONS OR CONCERNS PLEASE CONTACT

PRO-GARD PRODUCTS, LLC

PHONE: 317-579-6680

FAX: 317-579-6681